

1



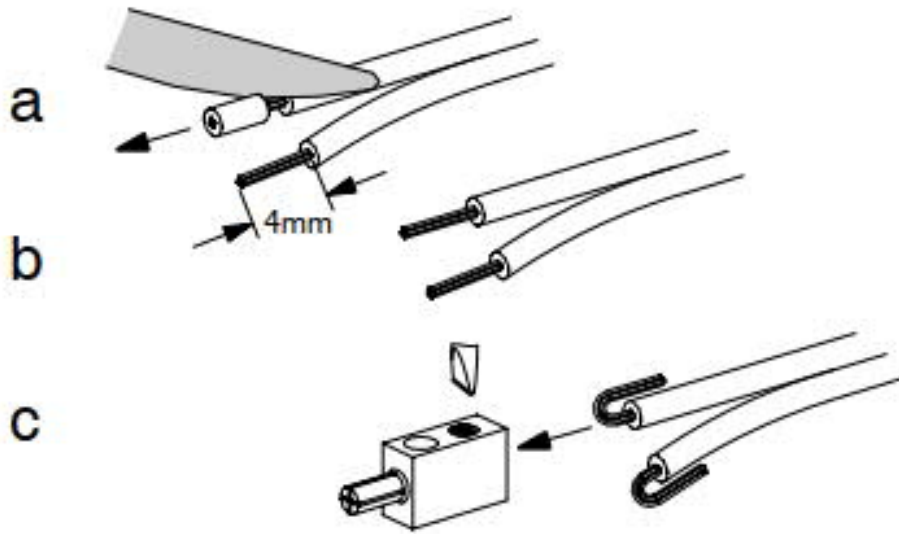
4 x 30 cm
1 x 40 cm



2



3



4

